

EMICO
WHEATON



J0453 API Coupler

Technical Sheet



www.emcowheaton.com/fuel-systems

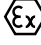


J0453 Features & Technical Data

The Emco Wheaton range of API couplers are designed to incorporate maximum safety, while ensuring low-pressure drop, and hence high flow, and combining easy maintenance with a long service life. Every coupler in Emco Wheaton's range meets the recognised international standards and industry codes of practice.

Parameters	Series		
	J0451	J0452	J0453
Weight (kg)	9.8	9.8	7.1
Length (mm)	220	222	178
Operating Window (mm)	202	203	156
Test Pressure (Bar)	16	25	25
MWP (Bar)	10	10-16	10-16
Options			
Pump	No	Yes	Yes
Sensor	Yes	Yes	Yes
Product ID Sensor	No	Yes	Yes

Specifications	
Dimensions	227 x 270 x 178 mm
Weight	7.10 kg
Operating Window	156mm
Max. Working Pressure	16 bar (230 psi)
Product Test Pressure	25 bar (360 psi)
Design Standard	API RP 1004
Mounting	4" (100mm) TTMA Flange
Handle Length	181mm

It is suitable for use in a Zone 1 rated hazardous area. It is ATEX Certified Group II Category 2 G, Safe by Design, Gas group IIA, Temperature Rating T4
 CE 0598  II 2G c IIA
 T4 -20<=Ta<=+90C.

Options	
Pump	Yes
Sensor	Yes
Magnet Sensor	Yes
Compatibility	Additional seal grades available

Variants	
4" API Coupler, Viton (FKM)	
4" API Coupler, Buna (NBR)	
4" API Coupler, Low Temp, Viton (GFLT)	
4" API Coupler, FFKM	
4" (100mm) TTMA Flange	

Other variants available on request



Showing J0543 with pump
(rotated 90°)



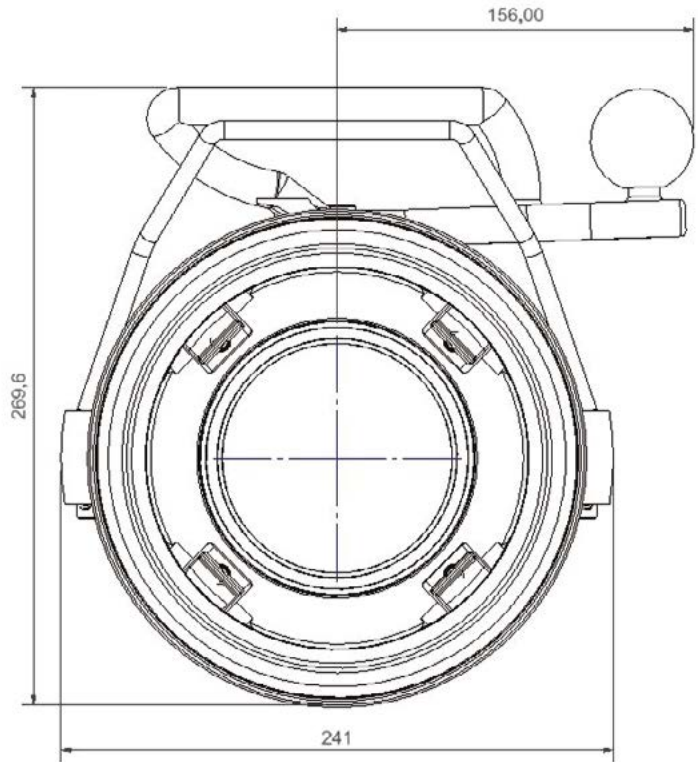
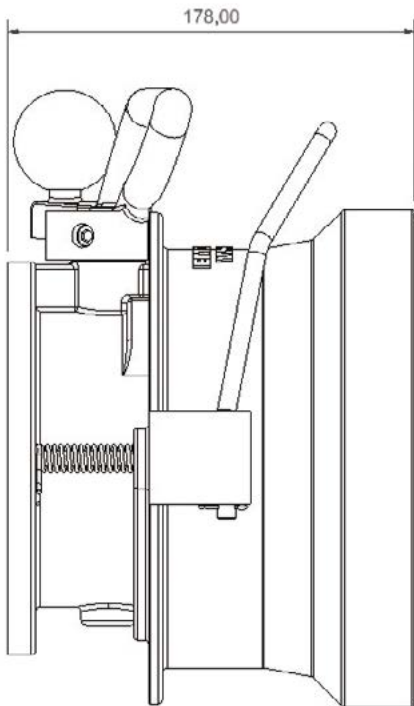
Showing Standard J0543



Showing J0543 with Product ID Sensor

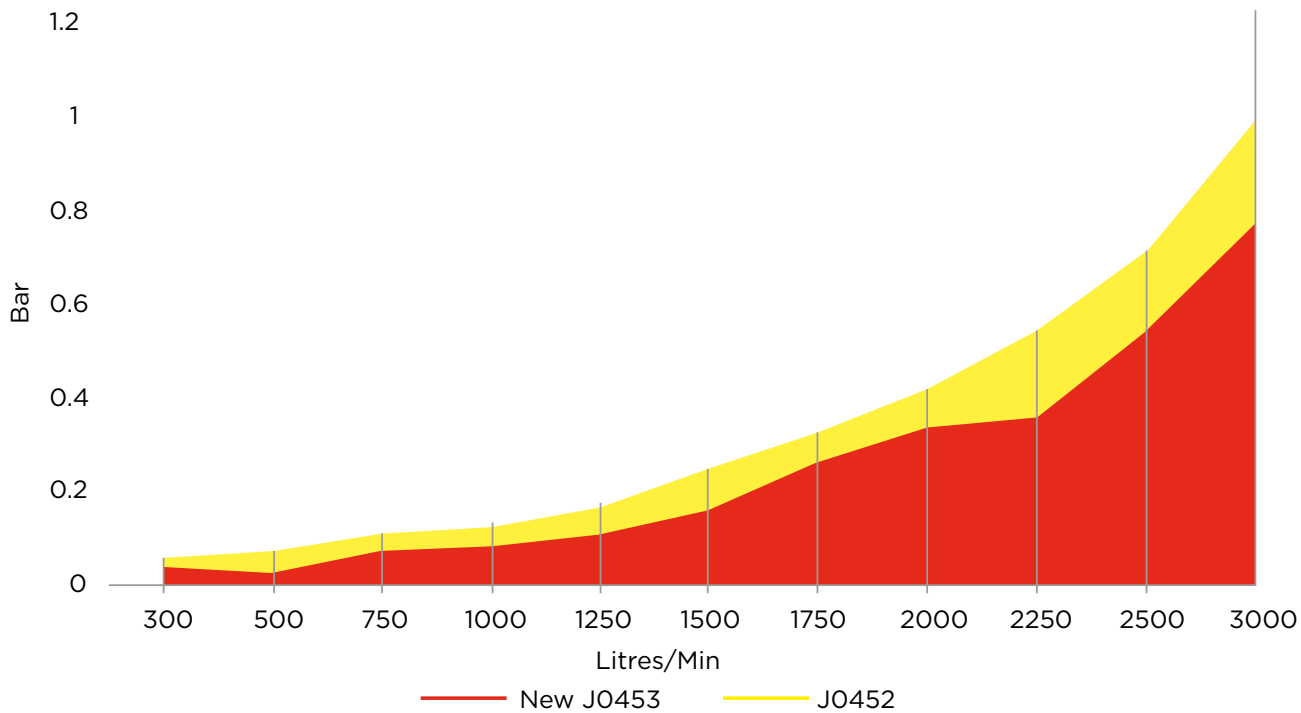
emcowheaton/fuel-systems

J0453 Technical Drawings





Pressure Drop



EMCO
WHEATON

www.emcowheaton.com/fuel-systems