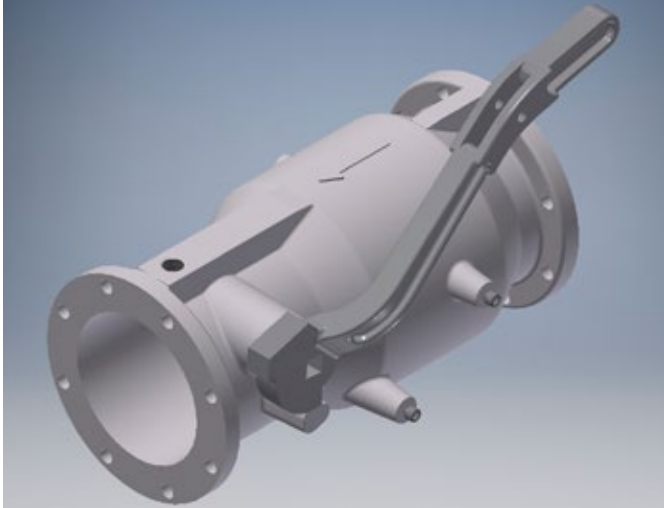


Load Valves



Emco Wheaton offers aluminum loading valves for top loading gasoline, diesel, and heavy fuel oil applications. Both European and Western valve allow opening under pressure and self closing without water hammer. Closure rate is easily adjustable for both models, with no special tooling required, to prevent shock in the line. The valve is operated with a rigid remote control located above or close to the manhole of the vehicle allowing the operator to follow loading while holding the arm down and valve open. A vacuum breaker can be fitted directly on the body of the valve after the piston to empty product into the vehicle after loading.

Features:

European Fiab Valve

- 3" and 4" available
- Cast aluminum body (built to NF A57705)
- Piston offered in cast iron & stainless
- Viton and FEP seals
- TTMA connections
- Design pressure: 10 bar
- Design temperature: -20°C to +110°C
- Flow rates: 100m³/h (3") & 160m³/h (4")
- Optional "stay open" valves available

Features:

US E0471 Valve

- 3" and 4" available
- Cast aluminum body
- Piston offered in stainless
- Viton and Buna seals
- TTMA connections
- Design pressure: 150 PSI
- Design temperature: -20°F to +120°F
- Flow rates: 300 GPM (3") & 600 GPM (4")