

# DRY-BREAK™ 3-INCH

Emco Wheaton DRY-BREAK™ Couplers and Adapters are used anywhere spill-free fluid transfer is required.

## COUPLER



- Cannot be opened until connected to adapter or disconnected until lever is moved to closed position thus eliminating accidental spillage
- Product loss on disconnect virtually eliminated
- Available with straight or 90° integrated ball-bearing swivel for loading arm or kink-free hose connection
- Easily serviced in the field using the Emco Wheaton Repair Kit Program
- Interchangeable with all existing Emco Wheaton 3" inlet adapters



## ADAPTER



- Enhanced poppet design allows for better flow characteristics in either direction
- Rear-entry design allows for easy field servicing
- One-piece poppet means fewer components for service
- Interchangeable with all existing Emco Wheaton 3" inlet couplers



[www.emcowheaton.com](http://www.emcowheaton.com)

 @EmcoWheaton |  [www.facebook.com/EmcoWheaton](http://www.facebook.com/EmcoWheaton)

## ACCESSORIES

Dust Cap for Adapter



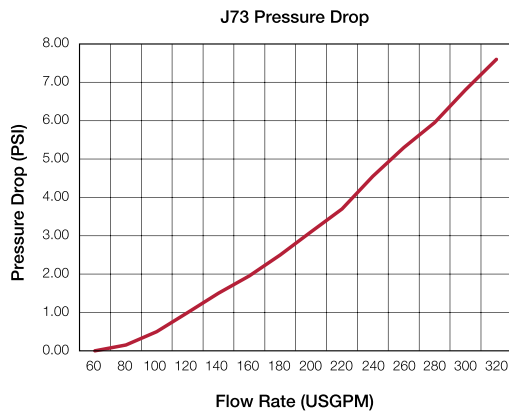
Adapter Opener



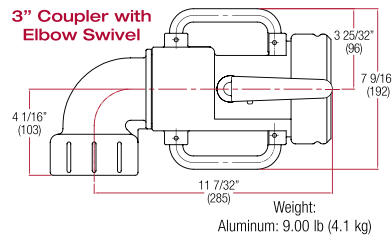
Dust Plug for Coupler



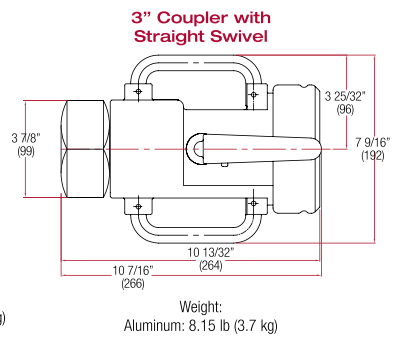
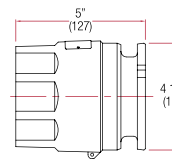
## TECHNICAL SPECIFICATIONS



Maximum Working Pressure: 85 psi



**3" Adapter**



## TO ORDER 3-INCH PRODUCTS

**J 7 3 C - A V N 1 - B 0 0 3**

Type	Body Material	Seals	Inlet	Swivel	Rev.	Special Features
C=Coupler A=Adapter	A=Aluminum B=Brass	V=Viton B=Buna	N=Female NPT I=ISO 228 Parallel	0=Straight (No Swivel) 1=Straight with Swivel 2=90° with Swivel	A B etc.	003=Selective (3-pin) 004=Dust Cap

CRN available for all provinces and territories.

Perfluoroelastomer (Chemraz): -20°F to 450°F [-29°C to 232°C]  
Buna: -40°F to 225°F [-40°C to 107°C]  
Viton: 5°F to 225°F [-15°C to 204°C]