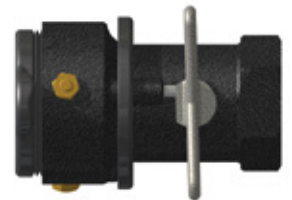


Emco Wheaton 1" Coupler



The Emco Wheaton 1" Coupler has been tried and tested in the market for a number of years with users happily testifying to its reliability.

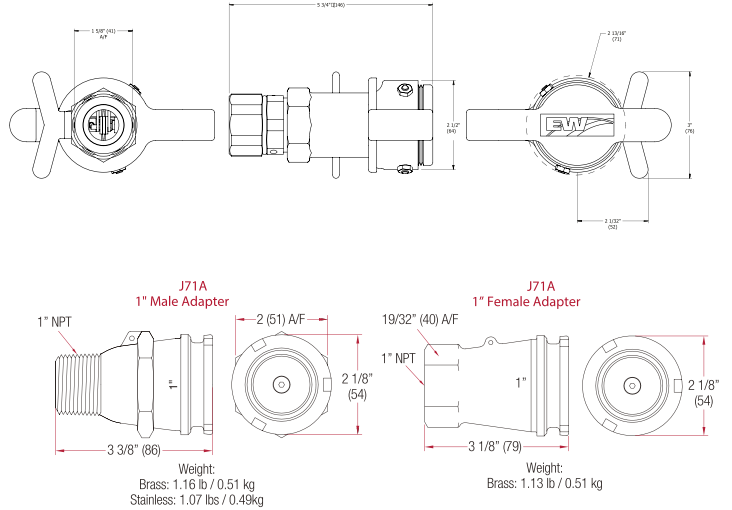
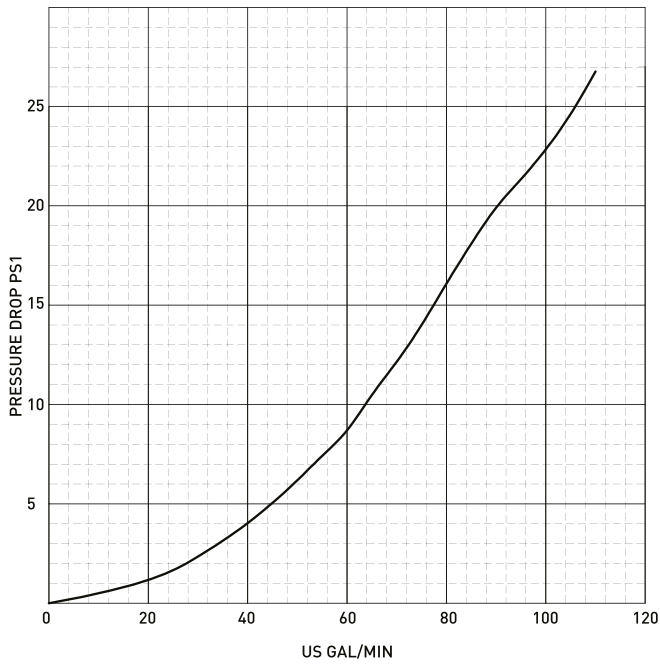
Accidental spillage is eliminated as the coupler cannot be opened unless it is attached to an adapter. As the coupler is rotated onto the adapter and the butterfly handle turned, the coupling is now open allowing product flow.

The product is completely interchangeable with all Emco Wheaton 1-inch couplers and adapters in the field and a complete Repair Kit is available for simple and effective in-field servicing.

The adaptor, which is available in a range of materials, has a poppet design eliminating spillage, and is offered with either male or female threads.

Technical specifications

J71 Pressure Drop



TYPE	BODY MATERIAL	SEALS	CONNECTION	SWIVEL	REV.	STANDARD FEATURES
C=Coupler	A=Aluminum	V=Viton	N=Female NPT	1=straight	E	004= w/ dust cap
A=Adapter	B=Brass (adapter only) S=Stainless Steel (adapter only)	B=Buna	M=Male NPT	0=no swivel		

CRN available for all provinces and territories.

Buna: -40°F to 225°F (-40°C to 107°C)

Viton: 5°F to 225°F (-15°C to 204°C)